

# LUMOS MIDI TOWER

*product set up instructions*



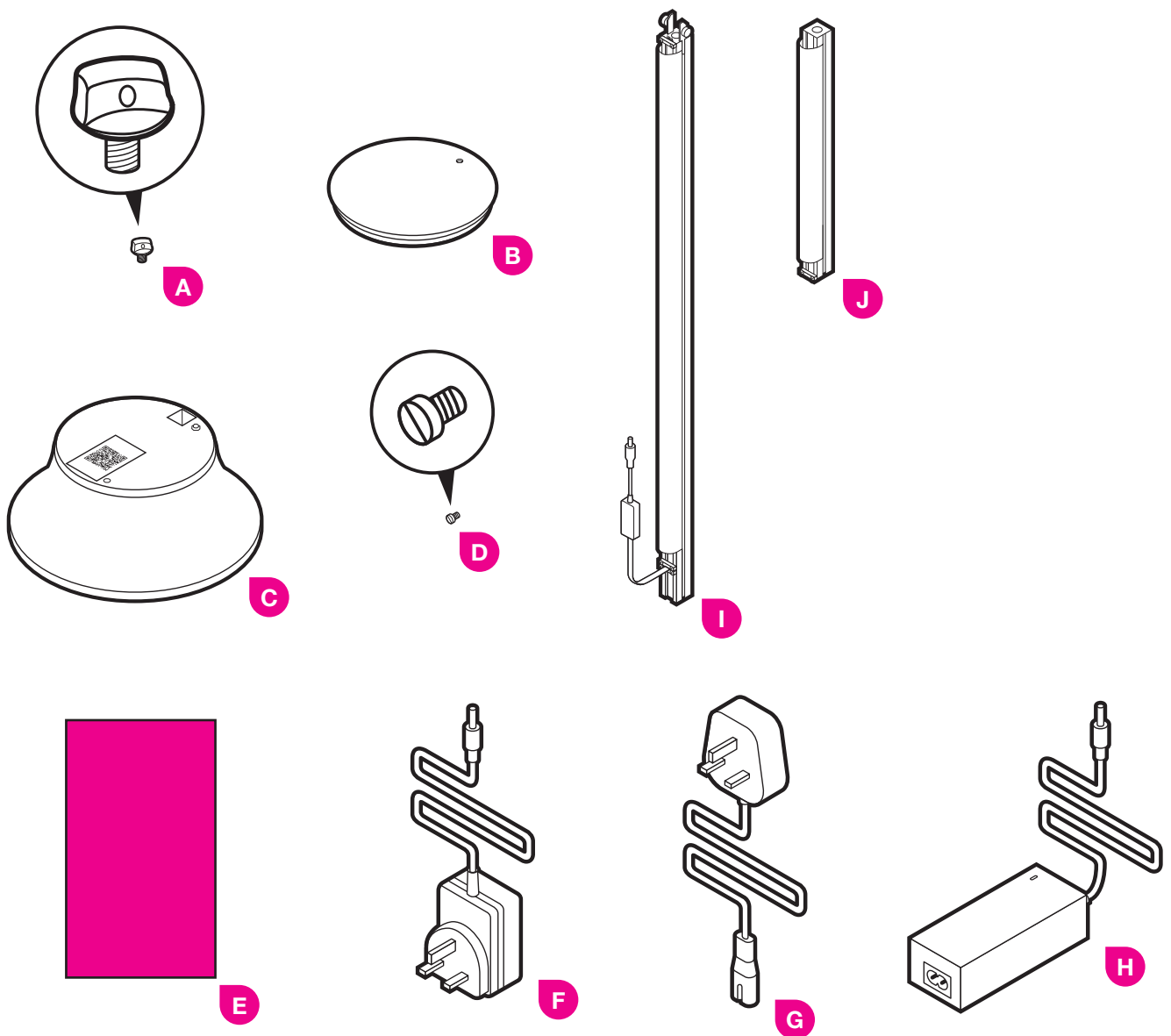
# Lumos Midi Tower Setup Instructions

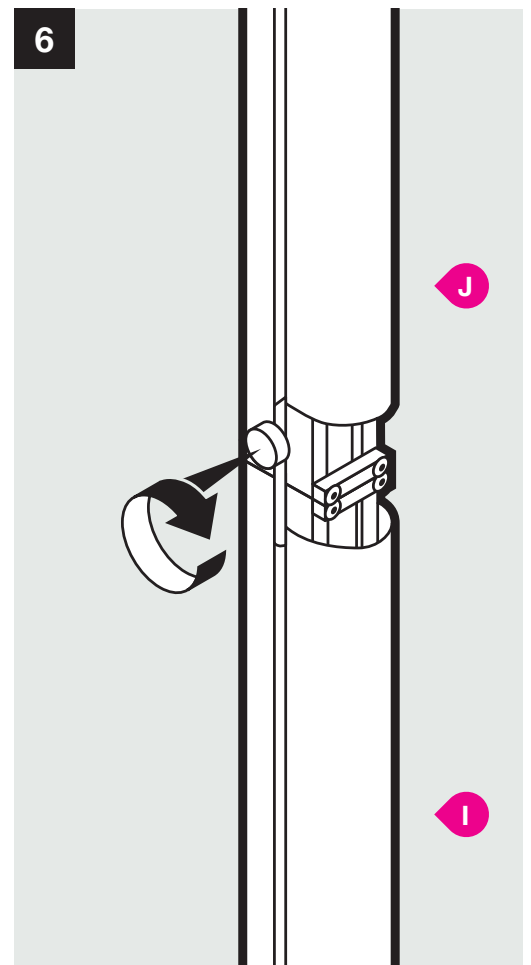
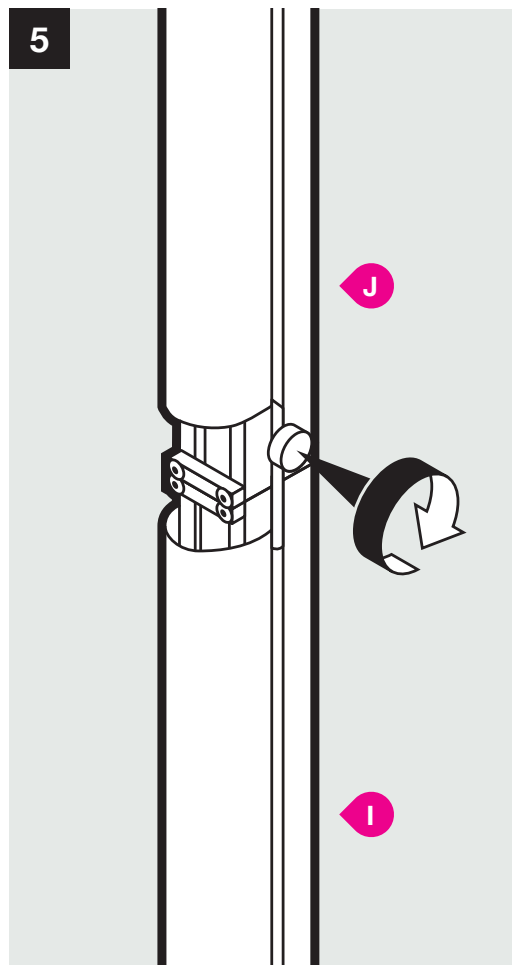
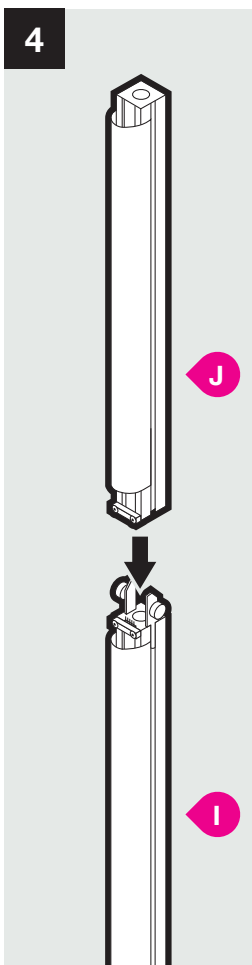
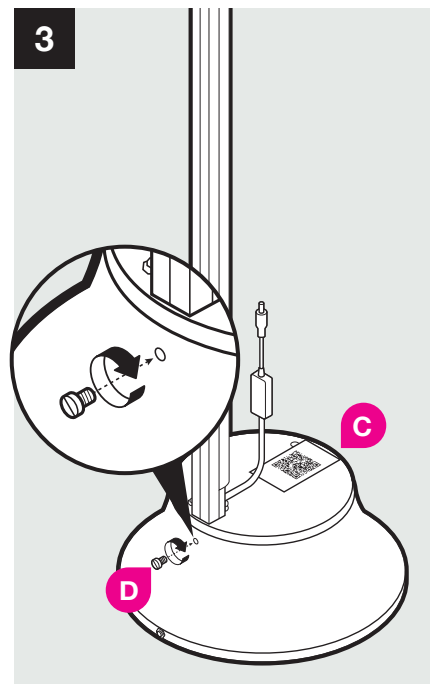
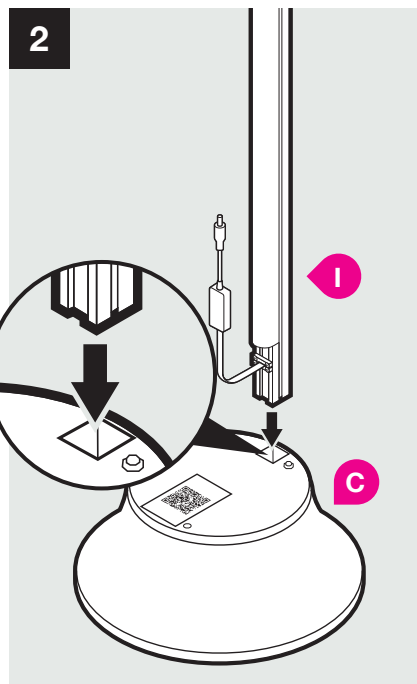
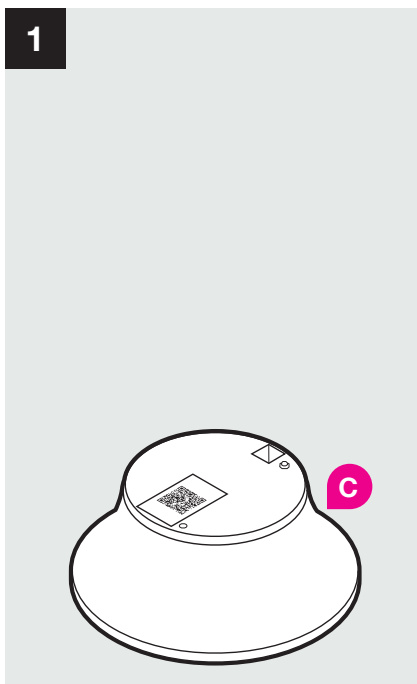


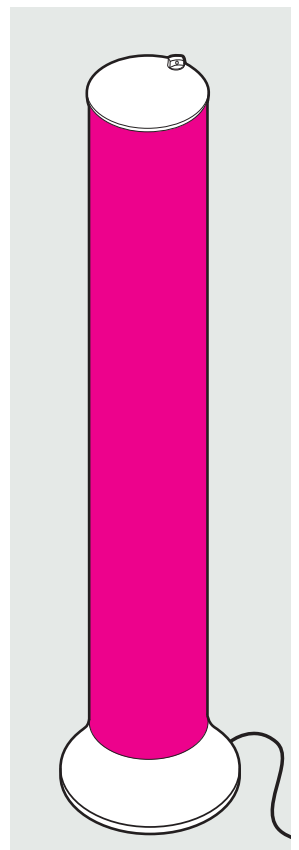
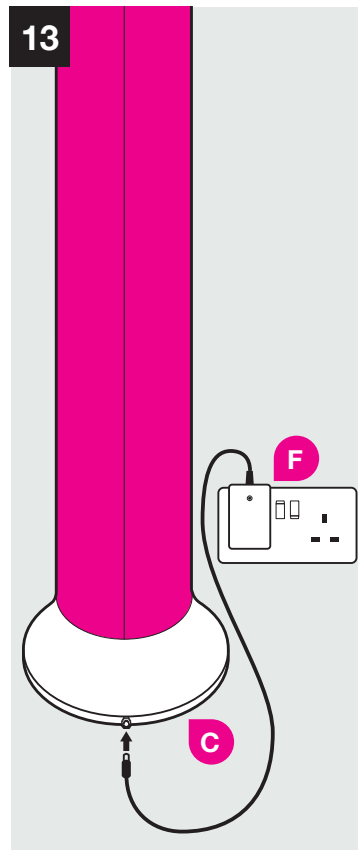
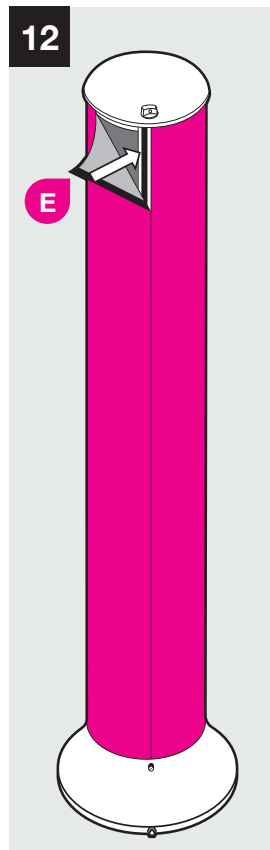
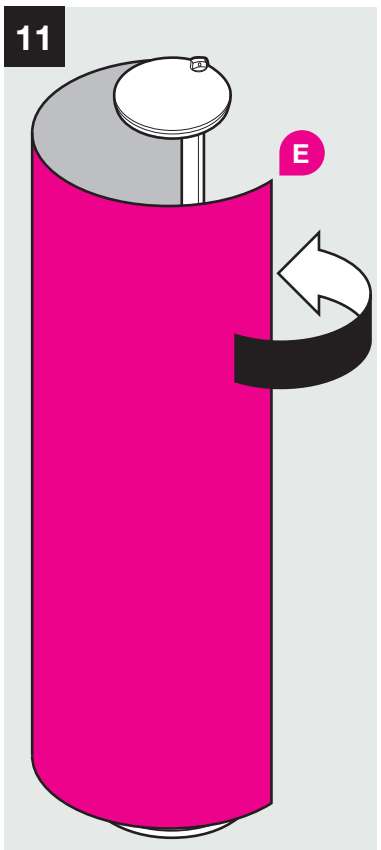
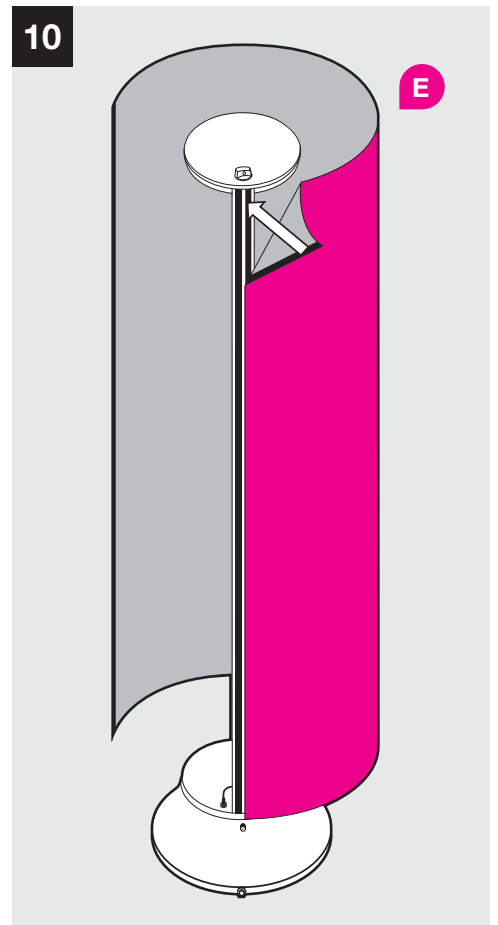
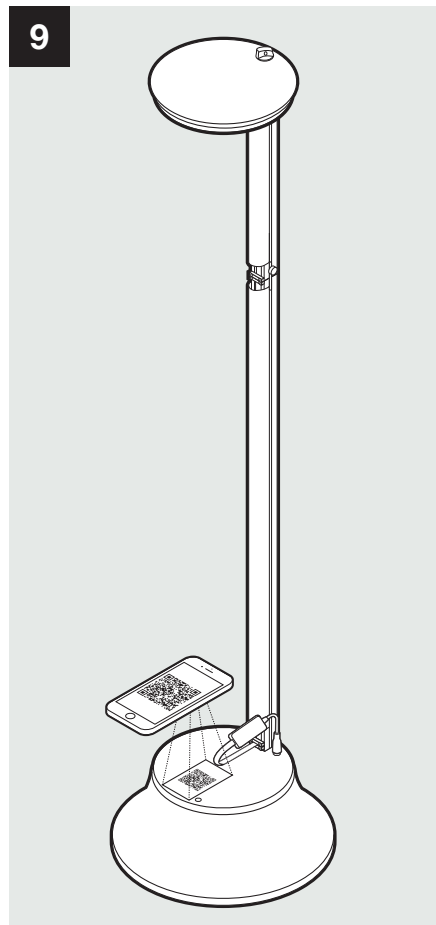
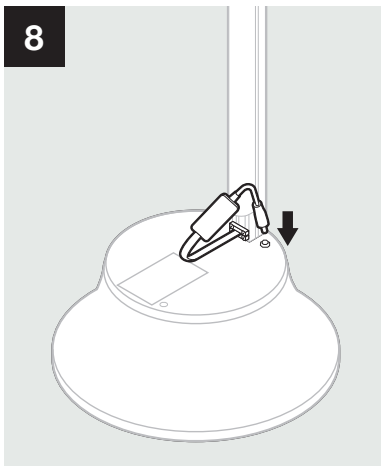
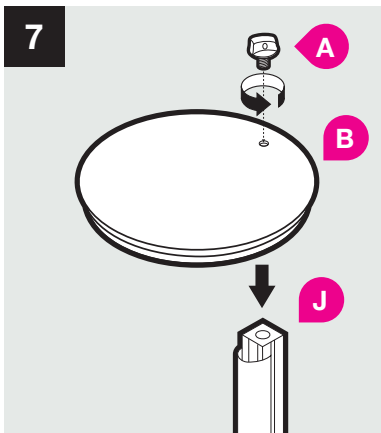
## Items

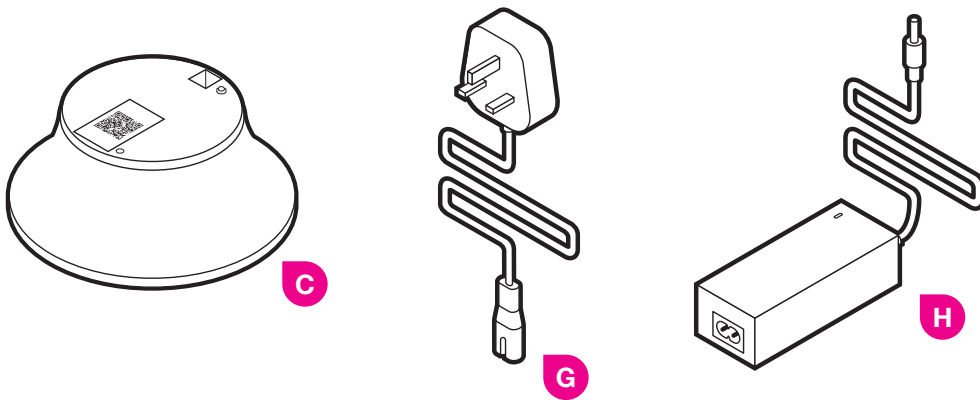
- A:** 1x top screw;
- B:** 1x top;
- C:** 1x base;
- D:** 1x base screw;
- E:** 1x 624x1195mm graphic panel;
- F:** 1x mains transformer;
- G:** 1x charging transformer;
- H:** 1x charging adaptor;
- I:** 1x Lumos Midi bottom upright;
- J:** 1x Lumos Midi top upright


**PLEASE NOTE:** The LED MagicBlue app is needed to use this product. The details to download this are on the base.









 This product contains a non-spillable lead-acid battery. Please dispose of responsibly. Contact your local authorities for more information.

